

# PRODUCT INFORMATION SHEET

## Polarization Insensitive Single Stage & Dual Stage Isolator (PSSI&PDSI Series)

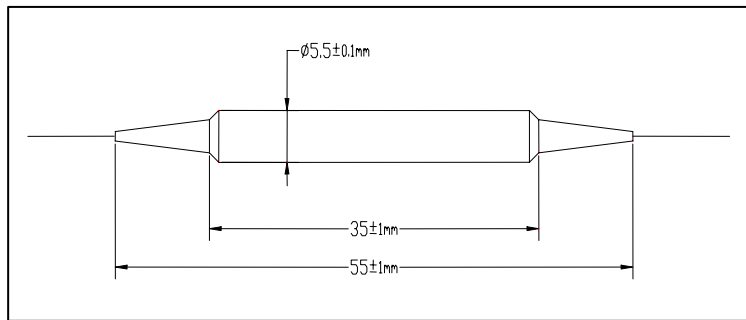
The Polarization Insensitive Isolator features a compact package, low insertion loss, high isolation, high return loss and excellent environmental stability and reliability. It is ideal for suppressing back reflection in fiber lasers and other high performance laser based fiberoptics systems.

### Specifications

Parameters	Unit	Single Stage		Dual Stage	
		Grade P	Grade A	Grade P	Grade A
Center Wavelength ( $\lambda_c$ )	nm	1310, 1480 或 1550			
Typ. Peak Isolation	dB	42	40	58	53
Min. Isolation at 23°C; $\lambda_c \pm 10\text{nm}$ all polarization states	dB	32	30	46	45
Typ. Insertion Loss at 23°C; $\lambda_c$ , all polarization states	dB	0.3	0.4	0.4	0.5
Max. Insertion Loss at -5°C-70°C; $\lambda_c$ , all polarization states	dB	0.5	0.7	0.6	0.8
Min. Return Loss (Input/Output)	dB	65/60	60/55	65/60	60/55
Max. PDL at 23°C	dB	0.05	0.10	0.05	0.1
Max. Optical Power	mW	300			
Max. Tensile Load	N	5			
Fiber Type		SMF-28 Fiber			
Operating Temperature	°C	-5 to +70			
Storage Temperature	°C	-40 to +85			

\*Above specifications are for device without connector.

### Package Dimensions



### Ordering Information

Single Stage : PSSI-①①-②-③-④-⑤-⑥

Dual Stage : PDSI-①①-②-③-④-⑤-⑥

① Wavelength    ② Grade    ③ PMD

31 - 1310nm    P - P grade    1 - 0.05ps max.

48 - 1480nm    A - A grade    2 - Refer to above spec.

55 - 1550nm

SS - Specify

④ Connector Type

1 - FC/UPC

2 - SC/UPC

3 - LC/UPC

4 - ST/UPC

N - None

S - Specify

⑤ Fiber Type

B - 250um bare fiber

L - 900um loose tube

T - 900um tight buffer fiber

C - 3mm loose cable

S - Specify

⑥ Fiber Length

1 - 1.0m

S - Specify