

PRODUCT INFORMATION SHEET

1064nm High Power Polarization Insensitive Isolator (HI Series)

The 1064nm High Power Polarization Insensitive Isolator is characterized with low insertion loss, high isolation, high power handling, high return loss, excellent environmental stability and reliability. It is ideal for Fiber Laser, and instrumentation applications.

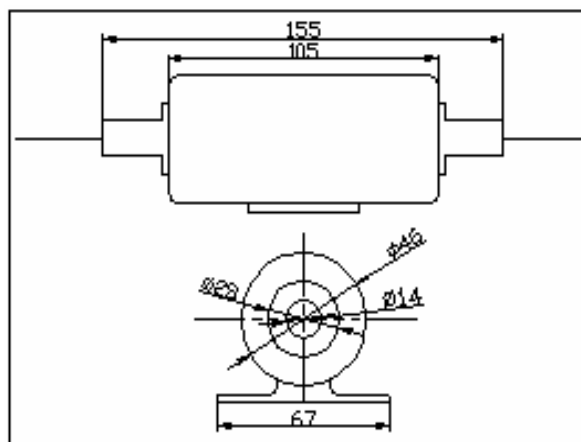
➤ Specifications

Parameters	Unit	Grade P	Grade A
Center Wavelength (λ_c)	nm	1064nm or Specify	
Max. PDL	dB	0.15	0.2
Typ. Peak Isolation	dB	35	30
Min. Isolation at 23°C; λ_c all polarization states	dB	30	28
Max. Insertion Loss at 23°C	dB	1.8	2.0
Min. Return Loss (input/output)	dB	45/45	40/40
Max. Optical Power CW	W	3	
Max. Tensile Load	N	5	
Fiber Type		HI 1060 Fiber	
Operating Temperature	°C	0 to +60	
Storage Temperature	°C	-20 to+75	

*Above specifications are for device without connector.

*For devices with connectors, IL will be 0.3dB higher, RL will be 5dB lower, and optical power will be 2W lower.

➤ Package Dimensions



➤ Ordering Information

HI-①-②-③-④-⑤

① Stage

1-Single Stage

2-Dual Stage

② Grade

P - Premium grade

A - A grade

③ Connector Type

N - None

S - Specify

④ Fiber Type

L - 900um loose tube

C - 3mm loose cable

S - Specify

⑤ Fiber Length

Q - 1.0m

S - Specify