

PRODUCT INFORMATION SHEET

1064nm Polarization Maintaining Optical Circulator (PM CIR Series)

The 1064nm Polarization Maintaining Optical Circulator is a compact high performance lightwave component that transmits the incoming signal from port 1 to port 2, while transmitting another incoming signal from port 2 to port 3. The component provides high isolation, low insertion loss, high extinction ratio, and excellent environment stability.

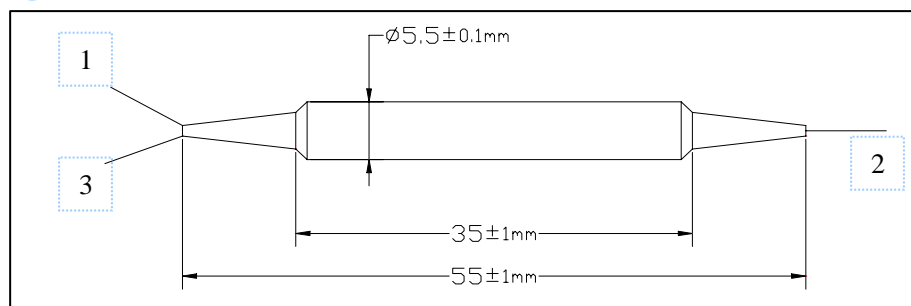
Specifications

Parameter	Unit	Values
Center Wavelength	nm	1064
Operating Wavelength Range	nm	± 5
Typ. Insertion Loss	dB	1.8
Max. Insertion Loss	dB	2.1
Typ. Isolation	dB	30
Min. Isolation	dB	25
Min. Extinction Ratio	dB	20
Min. Cross Talk	dB	50
Min. Return Loss	dB	50
Fiber Type		PM 980 Panda Fiber or Specify
Max. Optical Power	mW	300
Max. Tensile Load	N	5
Operating Temperature	$^{\circ}\text{C}$	-5 to +70
Storage Temperature	$^{\circ}\text{C}$	-40 to +85

*Above specifications are for device without connector.

*For devices with connectors, IL will be 0.3dB higher, RL will be 5dB lower, and ER will be 2dB lower.

Package Dimensions



Ordering Information

PM CIR-①-②-③-④

① Wavelength
06 - 1064nm
SS - Specify

② Connector Type
N - None
S - Specify

③ Fiber Type
B- 250um Panda Fiber
D- 400um Panda Fiber
L- 900um loose tube Panda Fiber
S - Specify

④ Fiber Length
Q - 0.75 m
S - Specify